

# Step-Up/Step-Down Switched Capacitor DC/DC Converters with Low-Battery Comparator

## FEATURES

- 3.3V or 5V Output Voltages
- 2V to 10V Input Voltage Range
- Up to 50mA Output Current
- Only Three External Capacitors Required
- Soft Start Limits Inrush Current at Turn-On
- Low Operating Current: 60 $\mu$ A
- Low Shutdown Current: 10 $\mu$ A
- Shutdown Disconnects Load from  $V_{IN}$
- **Short-Circuit and Overtemperature Protected**
- 650kHz Switching Frequency
- Low-Battery Comparator Active in Shutdown
- Available in SO-8 Package

## APPLICATIONS

- Battery-Operated Equipment
- Smart Card Readers
- Local Power Supplies
- Handheld Instruments
- Battery Backup Supplies

## DESCRIPTION

The LTC<sup>®</sup>1514-3.3/LTC1514-5 are micropower switched capacitor DC/DC converters that produce a regulated output voltage by either stepping up or stepping down the input voltage. Output voltage is fixed at either 3.3V (LTC1514-3.3) or 5V (LTC1514-5) by an internal resistor divider.

A unique architecture allows the parts to accommodate a wide input voltage range (2V to 10V) while maintaining  $\pm 4\%$  regulation. Additional circuitry prevents excessive inrush current and output voltage ripple when large  $V_{IN}$  to  $V_{OUT}$  differentials are present.

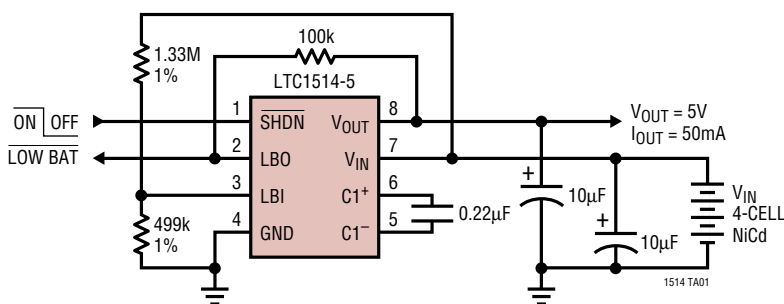
An internal uncommitted comparator is kept active in shutdown. The comparator has an open-drain output for flexible interfacing.

The parts are short-circuit and overtemperature protected. Battery life is maximized by very low operating currents ( $I_{CC} = 60\mu\text{A}$  typ, 10 $\mu\text{A}$  in shutdown). Both parts are available in an SO-8 package.

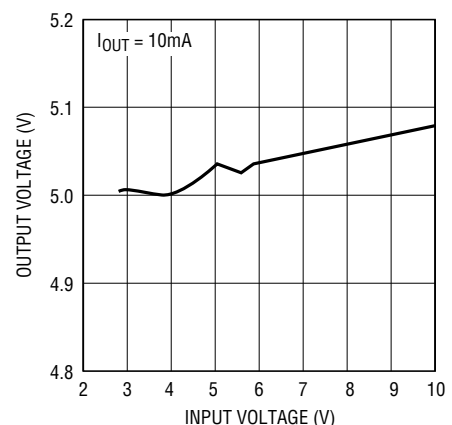
LT, LTC and LT are registered trademarks of Linear Technology Corporation.

## TYPICAL APPLICATION

5V Step-Up/Step-Down Power Supply with Low-Battery Detect



LTC1514-5 Output Voltage vs Input Voltage



LT1514-5 TA02

# LTC1514-3.3/LTC1514-5

## ABSOLUTE MAXIMUM RATINGS

(Note 1)

$V_{IN}$ to GND .....	-0.3V to 12V
$V_{OUT}$ to GND .....	-0.3V to 12V
SHDN, LBI, LBO to GND .....	-0.3V to 12V
$V_{OUT}$ Short-Circuit Duration .....	Indefinite
Operating Temperature Range	
Commercial .....	0°C to 70°C
Industrial .....	-40°C to 85°C
Storage Temperature Range .....	-65°C to 150°C
Lead Temperature (Soldering, 10 sec) .....	300°C

## PACKAGE/ORDER INFORMATION

<p>TOP VIEW</p> <p>S8 PACKAGE 8-LEAD PLASTIC SO</p> <p><math>T_{JMAX} = 125^{\circ}C, \theta_{JA} = 110^{\circ}C/W</math></p>	ORDER PART NUMBER
	LTC1514CS8-3.3 LTC1514CS8-5 LTC1514IS8-3.3 LTC1514IS8-5
	S8 PART MARKING
	15143 151413 15145 151415

Consult factory for Military grade parts.

## ELECTRICAL CHARACTERISTICS

$V_{IN} = 2V$  to  $10V$ ,  $SHDN = 3V$ ,  $C1 = 0.22\mu F$ ,  $C_{IN} = C_{OUT} = 10\mu F$ , unless otherwise noted (Note 2).

PARAMETER	CONDITIONS	MIN	TYP	MAX	UNITS
$V_{IN}$ Operating Voltage	LTC1514-3.3	● 2.0		8	V
	LTC1514-5	● 2.7		10	V
$V_{OUT}$ (LTC1514-3.3)	$2V \leq V_{IN} \leq 8V, I_{OUT} \leq 15mA$	● 3.17	3.3	3.43	V
	$3V \leq V_{IN} \leq 8V, I_{OUT} \leq 50mA$	● 3.17	3.3	3.43	V
$V_{OUT}$ (LTC1514-5)	$2.7V \leq V_{IN} \leq 10V, I_{OUT} \leq 15mA$	● 4.8	5	5.2	V
	$3.3V \leq V_{IN} \leq 10V, I_{OUT} \leq 50mA$	● 4.8	5	5.2	V
$V_{IN}$ Operating Current	$V_{IN} \leq 5V, I_{OUT} = 0, SHDN = 3V$	●	60	100	$\mu A$
	$V_{IN} > 5V, I_{OUT} = 0, SHDN = 3V$	●	75	120	$\mu A$
$V_{IN}$ Shutdown Current	$SHDN = 0V, V_{IN} \leq 5V$	●	10	20	$\mu A$
	$SHDN = 0V, V_{IN} > 5V$	●		35	$\mu A$
Output Ripple	Full Load (Note 2)		100		mV <sub>P-P</sub>
Switching Frequency		● 500	650	800	kHz
LBI Trip Point	LBI Ramping Negative	● 1.110	1.145	1.180	V
LBI Trip Point Hysteresis			1		%
LBI Input Current	LBI = 1.145V	● -50		50	nA
LBO $V_{OL}$	$I_{SINK} = 100\mu A, V_{IN} = 3V$	●	0.025	0.4	V
LBO Leakage Current	$V_{LBO} = 5V, LBI = V_{IN}$	● -1		1	$\mu A$
SHDN Input Threshold	$V_{IL}$	● 0.4	1		V
	$V_{IH}$	●	1	1.6	V
SHDN Input Current	$SHDN = V_{IN}$	● -1		1	$\mu A$
	$SHDN = 0V$	● -1		1	$\mu A$
$I_{OUT}$ Short-Circuit Current	$V_{OUT} = 0V$	●	12	40	mA
$t_{ON}$	Soft Start Turn-On Time		4		ms

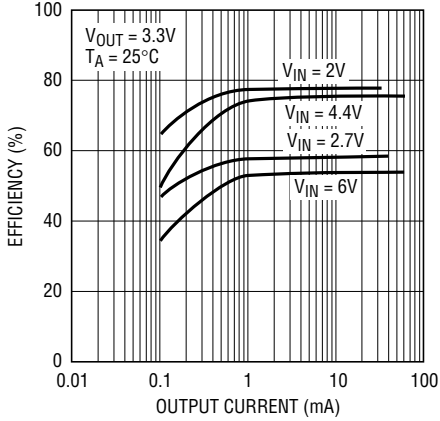
The ● denotes specifications which apply over the full operating temperature range.

**Note 2:** For  $V_{IN} \geq 8V$ ,  $C_{OUT} = 22\mu F$ .

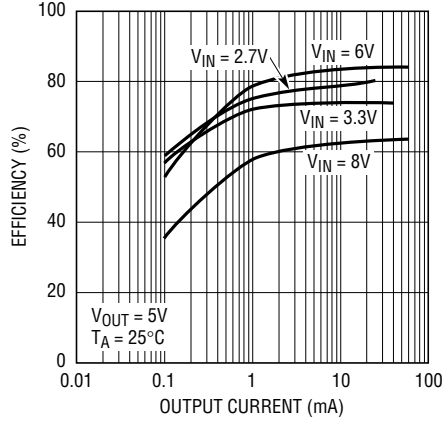
**Note 1:** Absolute Maximum Ratings are those values beyond which the life of the device may be impaired.

# TYPICAL PERFORMANCE CHARACTERISTICS

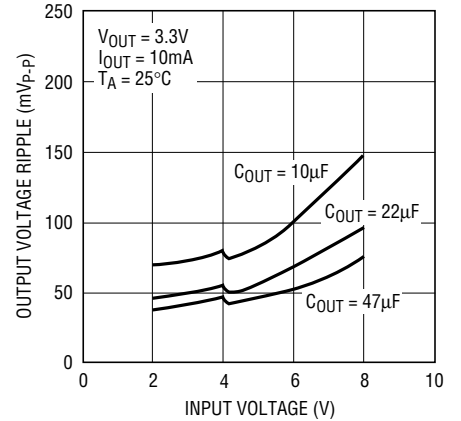
**LTC1514-3.3**  
Efficiency vs Output Current



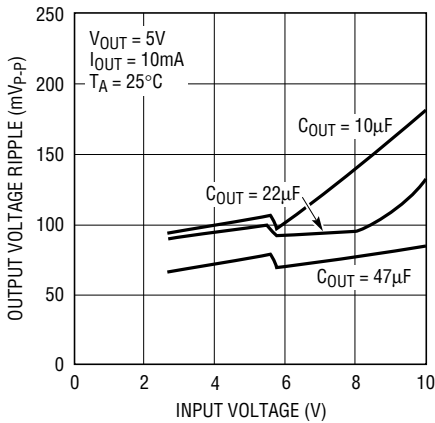
**LTC1514-5**  
Efficiency vs Output Current



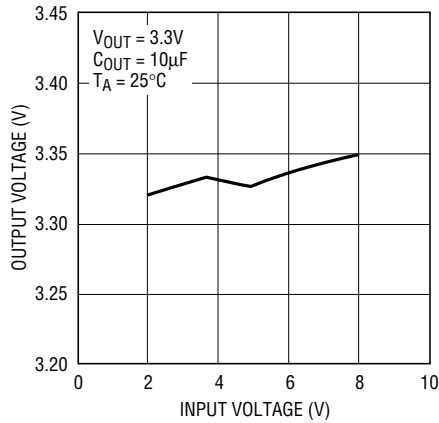
**LTC1514-3.3 Output Voltage Ripple vs Input Voltage**



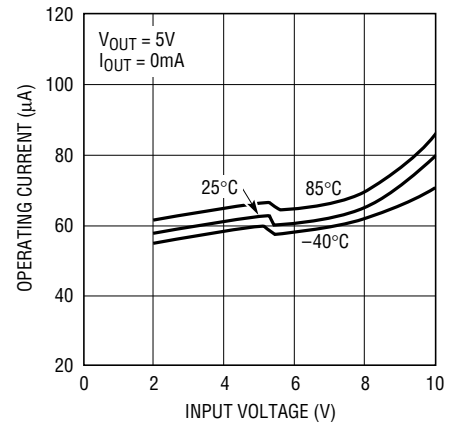
**LTC1514-5 Output Voltage Ripple vs Input Voltage**



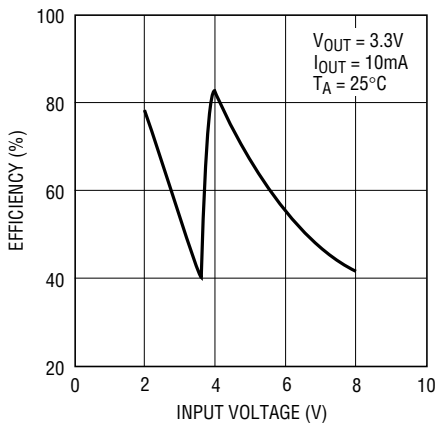
**LTC1514-3.3 Output Voltage vs Input Voltage**



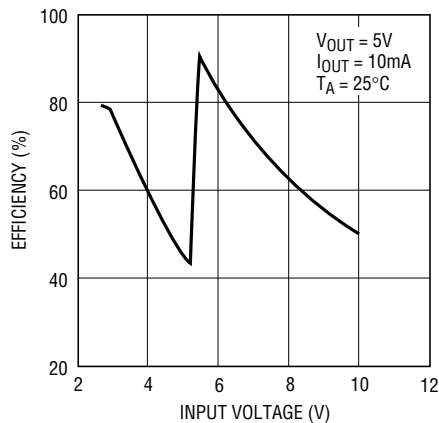
**LTC1514-5 Operating Current vs Input Voltage**



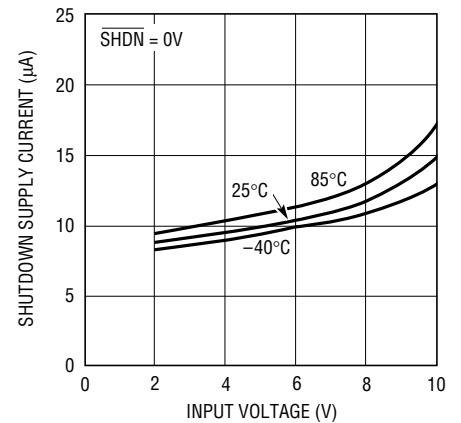
**LTC1514-3.3**  
Efficiency vs Input Voltage



**LTC1514-5**  
Efficiency vs Input Voltage

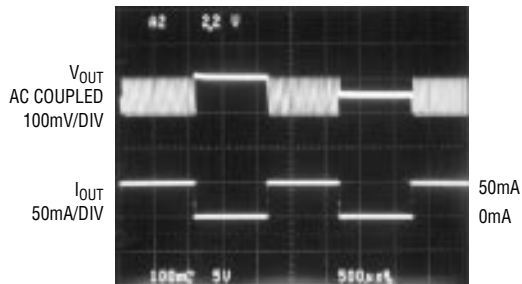


**LTC1514-X Shutdown Supply Current vs Input Voltage**



## TYPICAL PERFORMANCE CHARACTERISTICS

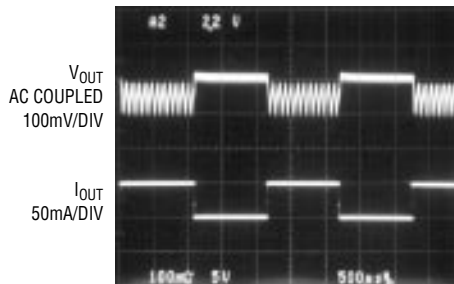
**LTC1514-5 Step-Down Mode Load Transient Response**



$V_{IN} = 8V, V_{OUT} = 5V, C_{OUT} = 10\mu F, T_A = 25^\circ C$

1514 G10

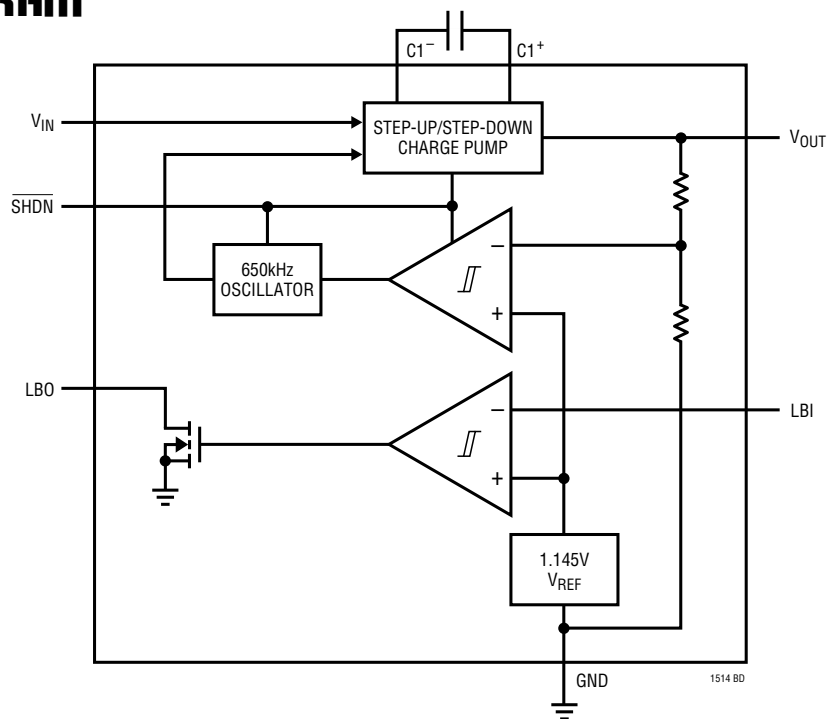
**LTC1514-5 Step-Up Mode Load Transient Response**



$V_{IN} = 3.3V, V_{OUT} = 5V, C_{OUT} = 10\mu F, T_A = 25^\circ C$

1514 G11

## BLOCK DIAGRAM



1514 B0

## PIN FUNCTIONS

**SHDN (Pin 1):** Shutdown Input. A logic low on the SHDN pin puts the part into shutdown mode. A logic high ( $V_{SHDN} \geq 1.6V$ ) enables the charge pump regulator. At high  $V_{IN}$  voltages, the SHDN pin may still be controlled with 3V logic without causing a large rise in  $V_{IN}$  quiescent current. The SHDN pin may not float; connect to  $V_{IN}$  if unused.

**LBO (Pin 2):** Open-Drain, Low-Battery Comparator Output. This pin will pull low whenever the voltage on the LBI pin is less than the internal reference voltage (1.145V typ).

**LBI (Pin 3):** Low-Battery Comparator Input. The voltage on this pin is compared to the internal reference voltage (1.145V). The LBO output will sink current when the voltage on the LBI pin is less than 1.145V typ. The low-

## PIN FUNCTIONS

battery comparator and 1.145V reference are kept alive in shutdown.

**GND (Pin 4):** Ground. Should be tied to a ground plane for best performance.

**C1<sup>-</sup> (Pin 5):** Charge Pump Flying Capacitor, Negative Terminal.

**C1<sup>+</sup> (Pin 6):** Charge Pump Flying Capacitor, Positive Terminal.

**V<sub>IN</sub> (Pin 7):** Charge Pump Input Voltage. May be between 2V and 8V (LTC1514-3.3) or between 2.7V and 10V (LTC1514-5). V<sub>IN</sub> should be bypassed with a  $\geq 10\mu\text{F}$  low ESR capacitor as close as possible to the pin for best performance.

**V<sub>OUT</sub> (Pin 8):** Regulated Output Voltage. The output voltage is internally set to either 3.3V (LTC1514-3.3) or to 5V (LTC1514-5) using an internal resistor divider. V<sub>OUT</sub> should be bypassed with a  $\geq 10\mu\text{F}$  low ESR capacitor as close as possible to the pin for best performance.

## APPLICATIONS INFORMATION

### Regulator Operation

The regulator section of the LTC1514-3.3/LTC1514-5 consists of a charge pump, reference, comparator and some logic. The divided down output voltage is compared to the internal reference voltage. When the divided output drops below the reference voltage, the charge pump is enabled, which boosts the output back into regulation. Hysteresis in the comparator forces the regulator to burst on and off and causes approximately 100mV of peak-to-peak ripple to appear at the output. By enabling the charge pump only when needed, the LTC1514-3.3 and LTC1514-5 are able to achieve high efficiencies with low output load currents.

Each part's charge pump has a unique architecture that allows the input voltage to be either stepped up or stepped down to produce a regulated output. Internal circuitry senses the V<sub>IN</sub> to V<sub>OUT</sub> differential voltage and controls the charge pump operating mode. In addition, the effective output impedance of the charge pump is internally adjusted to prevent large inrush currents and allow for a wide input voltage range. When the input voltage is lower than the output voltage, the charge pump operates as a step-up voltage doubler. When the input voltage is greater than the output, the charge pump operates as a step-down gated switch.

### Capacitor Selection

For best performance, low ESR capacitors are recommended for both C<sub>IN</sub> and C<sub>OUT</sub> to reduce noise and ripple. The C<sub>IN</sub> and C<sub>OUT</sub> capacitors should be either ceramic or

tantalum and should be 10 $\mu\text{F}$  or greater. If the input source impedance is very low ( $< 0.5\Omega$ ), C<sub>IN</sub> may not be needed. Increasing the size of C<sub>OUT</sub> to 22 $\mu\text{F}$  or greater will reduce output voltage ripple—particularly with high V<sub>IN</sub> voltages (8V or greater). A ceramic capacitor is recommended for the flying capacitor C1 with a value of 0.1 $\mu\text{F}$  or 0.22 $\mu\text{F}$ . Smaller value flying capacitors may be used in low output current applications.

### Output Ripple

Normal LTC1514-3.3/LTC1514-5 operation produces voltage ripple on the V<sub>OUT</sub> pin. Output voltage ripple is required for the parts to regulate. Low frequency ripple exists due to the hysteresis in the sense comparator and propagation delays in the charge pump enable/disable circuits. High frequency ripple is also present mainly from the ESR (equivalent series resistance) in the output capacitor. Typical output ripple (V<sub>IN</sub> < 8V) under maximum load is 100mV peak-to-peak with a low ESR ( $< 0.5\Omega$ ) 10 $\mu\text{F}$  output capacitor. For applications requiring V<sub>IN</sub> to exceed 8V, a 22 $\mu\text{F}$  or larger C<sub>OUT</sub> capacitor is recommended to maintain max ripple in the 100mV range.

The magnitude of the ripple voltage depends on several factors. High input voltages increase the output ripple since more charge is delivered to C<sub>OUT</sub> per charging cycle. A large C1 flying capacitor ( $> 0.22\mu\text{F}$ ) also increases ripple in step-up mode for the same reason. Large output current load and/or a small output capacitor ( $< 10\mu\text{F}$ ) results in higher ripple due to higher output voltage dV/dt. High ESR capacitors (ESR  $> 0.5\Omega$ ) on the

## APPLICATIONS INFORMATION

output pin cause high frequency voltage spikes on  $V_{OUT}$  with every clock cycle.

There are several ways to reduce the output voltage ripple. A larger  $C_{OUT}$  capacitor (22 $\mu$ F or greater) will reduce both the low and high frequency ripple due to the lower  $C_{OUT}$  charging and discharging  $dV/dt$  and the lower ESR typically found with higher value (larger case size) capacitors. A low ESR ceramic output capacitor will minimize the high frequency ripple, but will not reduce the low frequency ripple unless a high capacitance value is chosen. A reasonable compromise is to use a 10 $\mu$ F to 22 $\mu$ F tantalum capacitor in parallel with a 1 $\mu$ F to 3.3 $\mu$ F ceramic capacitor on  $V_{OUT}$  to reduce both the low and high frequency ripple. An RC or LC filter may also be used to reduce high frequency voltage spikes (see Figure 1).

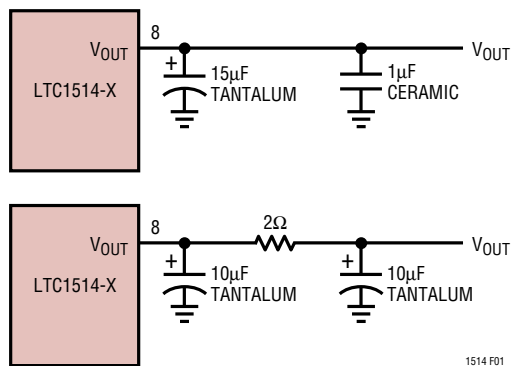


Figure 1. Output Ripple Reduction Techniques

### Inrush Currents

A common problem with switched capacitor regulators is inrush current—particularly during power-up and coming out of shutdown mode. Whenever large  $V_{IN}$  (or boosted  $V_{IN}$ ) to  $V_{OUT}$  voltage differentials are present, most charge pumps will pull large current spikes from the input supply. Only the effective charge pump output impedance limits the current while the charge pump is enabled. This may disrupt input supply regulation, especially if the input supply is a low power DC/DC converter or linear regulator. The LTC1514-3.3/LTC1514-5 minimize inrush currents both at start-up and under normal high  $V_{IN}$  to  $V_{OUT}$  operation.

Internal soft start circuitry controls the rate at which  $V_{OUT}$  may be charged from 0V to its final regulated value. The typical start-up time from  $V_{OUT} = 0V$  to 5V is 4ms. This corresponds to an effective  $V_{OUT}$  charging current of only 12.5mA for a 10 $\mu$ F output capacitor (27.5mA for 22 $\mu$ F, etc). Note that any output current load present during start-up will add directly to the charging currents mentioned above. The soft start circuitry limits start-up current both at initial power-up and when coming out of shutdown.

As the  $V_{IN}$  (or boosted  $V_{IN}$ ) to  $V_{OUT}$  voltage differential grows, the effective output impedance of the charge pump is automatically increased by internal voltage sensing circuitry. This feature minimizes the current spikes pulled from  $V_{IN}$  whenever the charge pump is enabled and helps to reduce both input and output ripple.

### Protection Features

The LTC1514-X contain thermal shutdown and short-circuit protection features. The parts will shut down when the junction temperature reaches approximately 150°C and will resume operation once the junction temperature has dropped back to approximately 140°C. The parts will limit output current to 12mA (typ) when a short-circuit condition ( $V_{OUT} < 100mV$ ) exists. The parts can survive an indefinite short to GND. The LTC1514-X devices use a low thermal resistance SO-8 package (110°C/W vs 150°C/W for standard SO-8). This permits full output current, even at high input supply voltages.

### Low-Battery Comparator

The internal low-battery comparator trips at  $1.145 \pm 3\%$  (LBI ramping negative). Programming the comparator to trip at a higher voltage can easily be done with an external

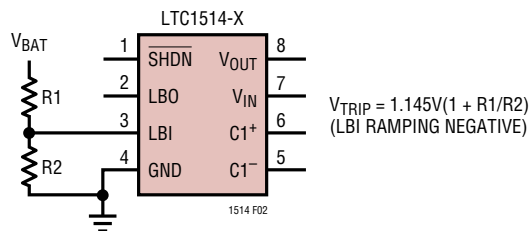


Figure 2. Programming the Low-Battery Comparator Trip Voltage

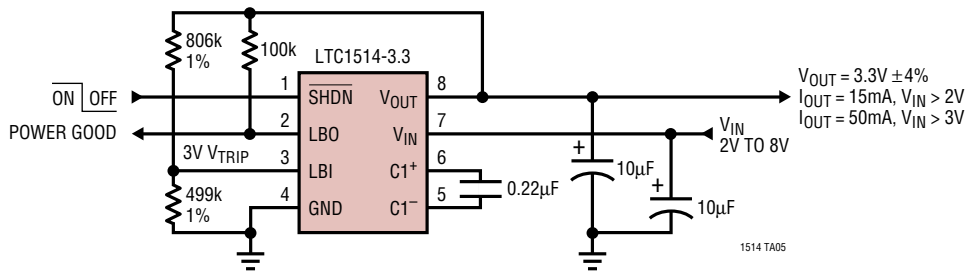
## APPLICATIONS INFORMATION

resistor divider (see Figure 2). Since the low-battery comparator is kept alive in shutdown, it may be used to protect batteries against deep discharge by shutting down the power supply when the battery voltage gets too

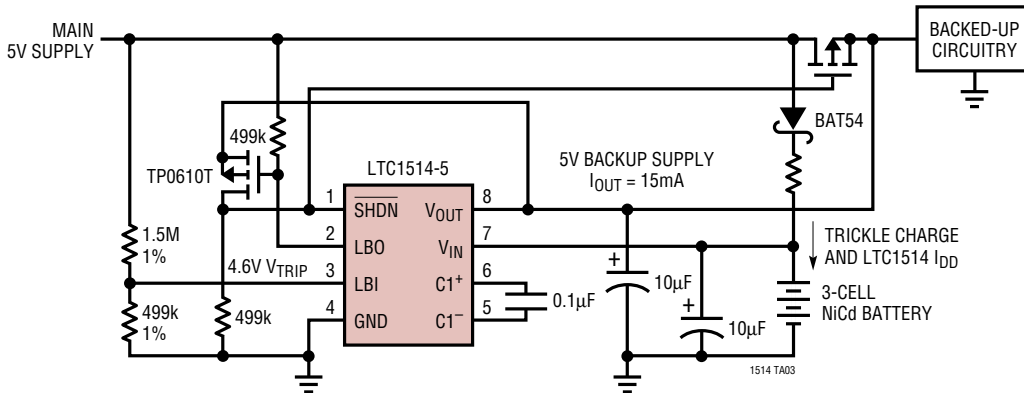
low. The open-drain comparator output allows for flexible interfacing between the LBO output and external logic. LBO pull-up resistors in the 50k to 1M range are recommended.

## TYPICAL APPLICATIONS

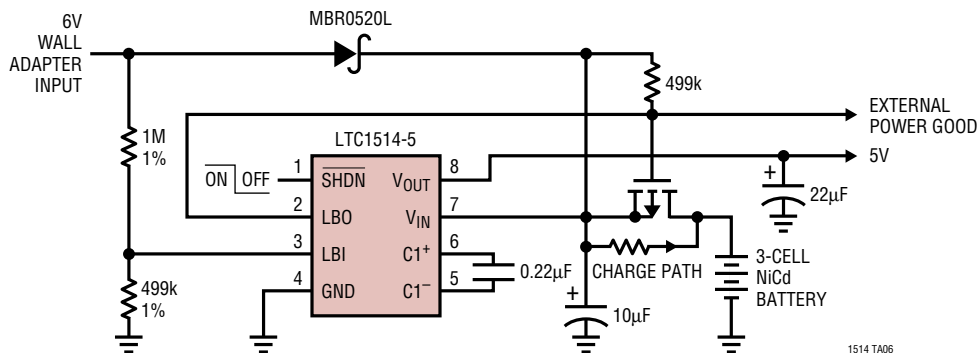
3.3V Step-Up/Step-Down Supply with Power Good Output



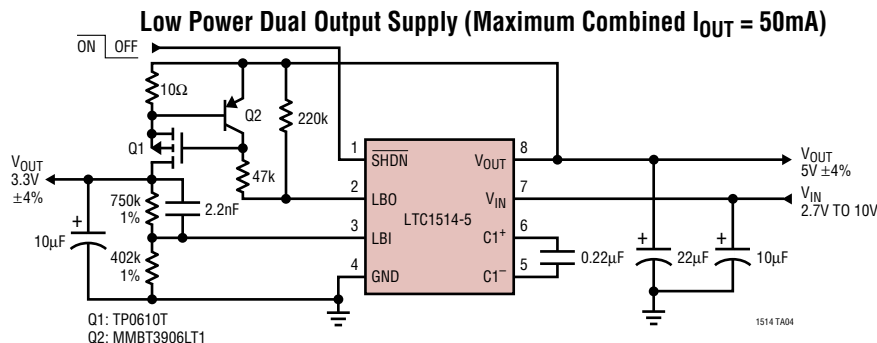
Low Power Battery Backup Supply with Autoswitchover and No Reverse Current



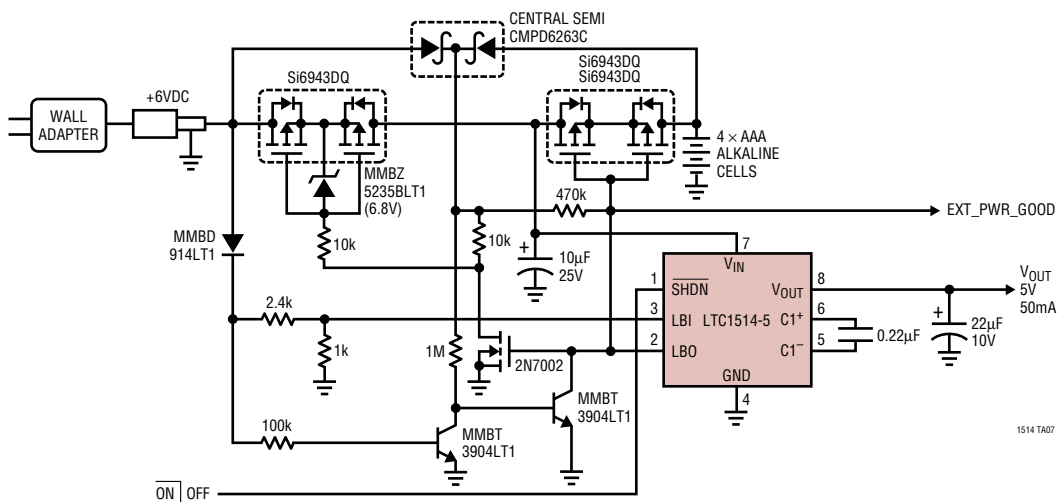
Battery/External Power Autoswitch Regulator



# TYPICAL APPLICATIONS



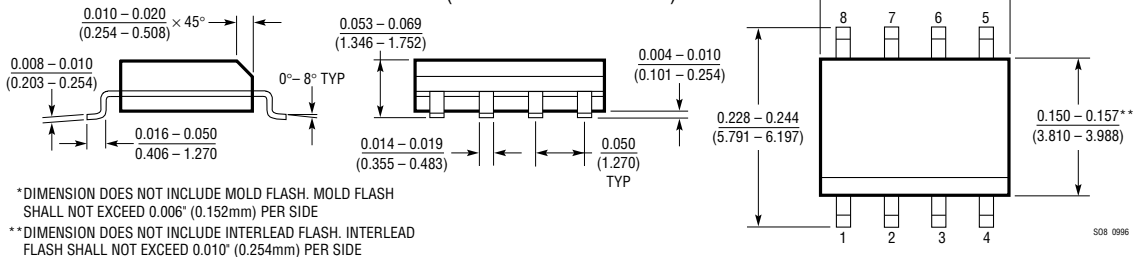
## Step-Up/Step-Down Power Supply with Input Autoswitching



# PACKAGE DESCRIPTION Dimensions in inches (millimeters) unless otherwise noted.

## S8 Package

### 8-Lead Plastic Small Outline (Narrow 0.150) (LTC DWG # 05-08-1610)



# RELATED PARTS

PART NUMBER	DESCRIPTION	COMMENTS
LTC1515 Series	Step-Up/Step-Down Switched Capacitor DC/DC Converters with Reset	$V_{IN}$ 2V to 10V, 3.3V, 5V and ADJ Versions, $I_{OUT}$ to 50mA
LTC1516	Micropower, Regulated 5V Charge Pump DC/DC Converter	$I_{OUT} = 20mA$ ( $V_{IN} \geq 2V$ ), $I_{OUT} = 50mA$ ( $V_{IN} \geq 3V$ )
LTC1517-5	Micropower, Regulated 5V Charge Pump DC/DC Converter	LTC1522 Without Shutdown and Packaged in SOT-23
LTC1522	Micropower, Regulated 5V Charge Pump DC/DC Converter	Available in 8-Pin MSOP, 6μA Quiescent Current, $I_{OUT} = 20mA$
LTC1555/LTC1556	SIM Power Supply and Level Translators	Step-Up/Step-Down SIM Power Supply and Level Translators
LTC660	100mA CMOS Voltage Converter	5V to -5V Conversion with Low Voltage Loss